

Cat. No. 60-4067B

OWNER'S MANUAL

Please read before using this equipment

4x4 OFF ROADER

Radio - Controlled

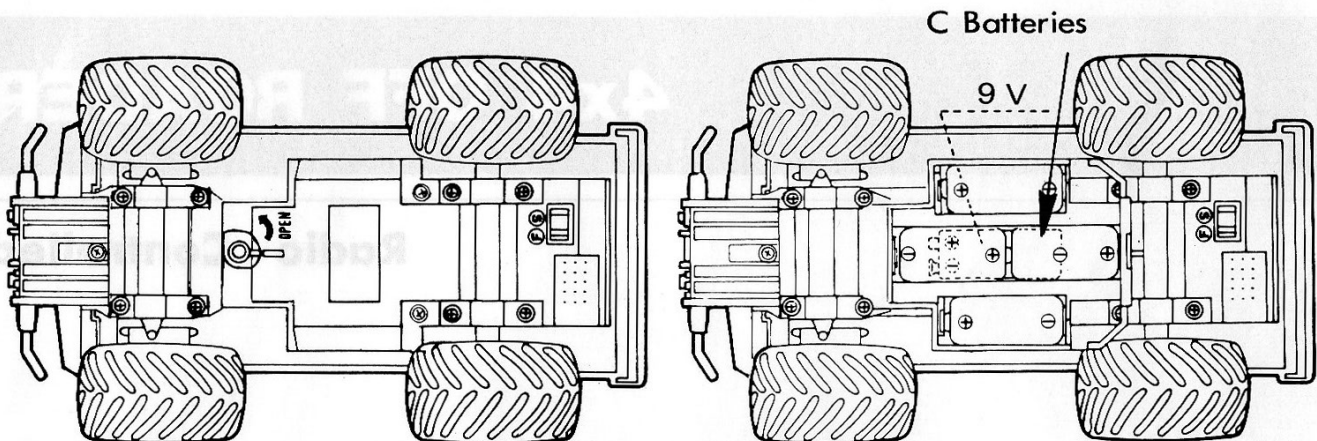
*Trademarks of Tandy Corporation

TANDY[®]*

BATTERY INSTALLATION

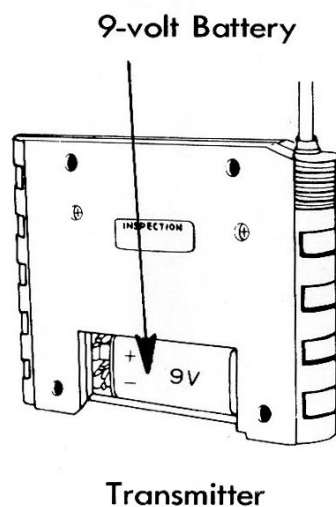
OFF ROADER

1. Set the ON/OFF switch to OFF.
2. Turn the knob next to the battery compartment cover in the direction indicated by the arrow. Lift the cover.
3. Insert one 9-Volt battery, such as Radio Shack Cat. No. 23-553, in the compartment. Insert four C batteries, such as Cat. No. 23-551. Position the batteries as shown inside.
4. Close the compartment cover.



TRANSMITTER

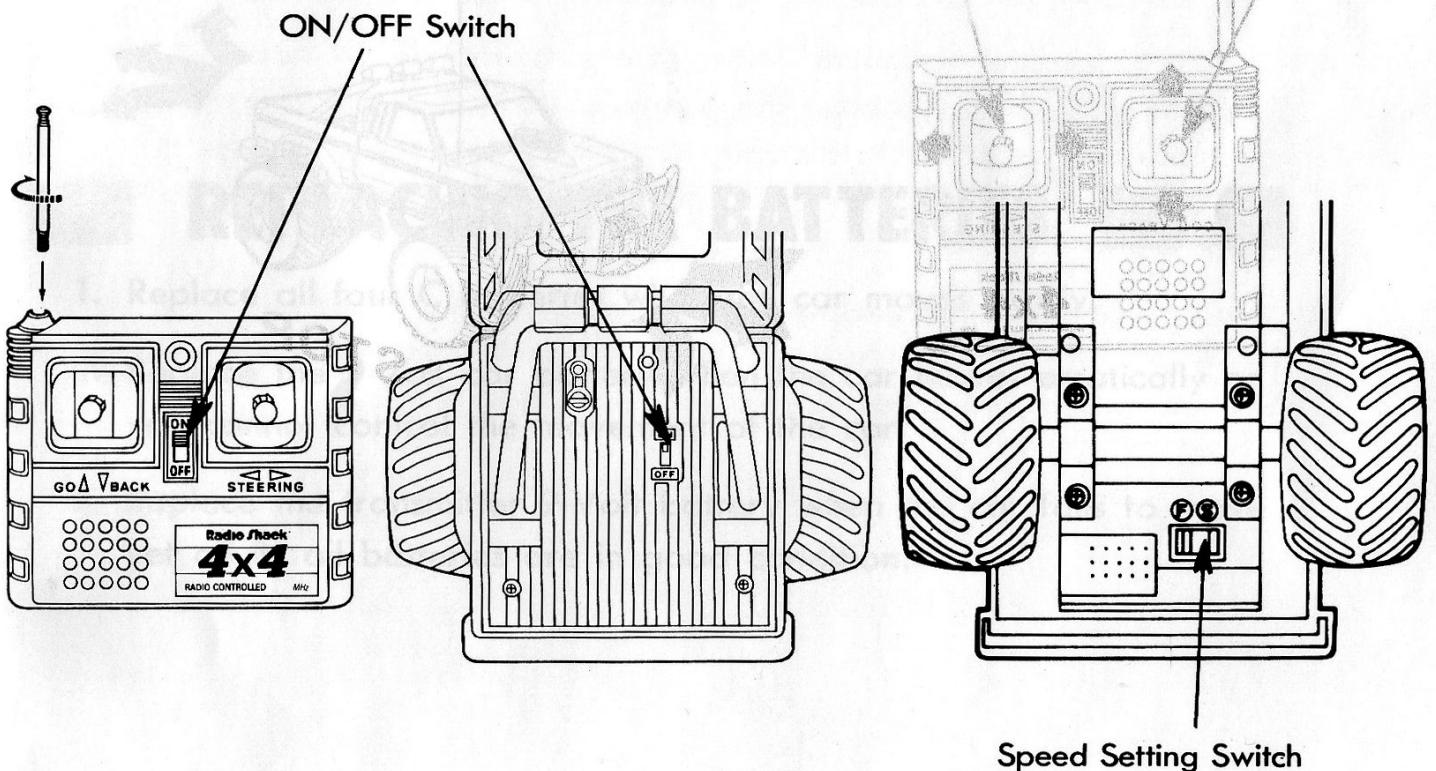
1. Slide off the battery compartment cover.
2. Insert one 9-Volt battery, positioned as shown.
3. Replace the battery compartment cover.



© 1987, INTERTAN LTD.

OPERATION

1. Screw the antenna into the top of the transmitter and extend the antenna fully.
2. Set the power switch on the transmitter to ON. The power indicator lights.
3. Set the power switch on the car to ON. The power indicator lights.
4. Select your car speed by setting the speed switch to F for driving on a smooth, flat surface at high speed or S for climbing or driving on rough terrain at low speed.

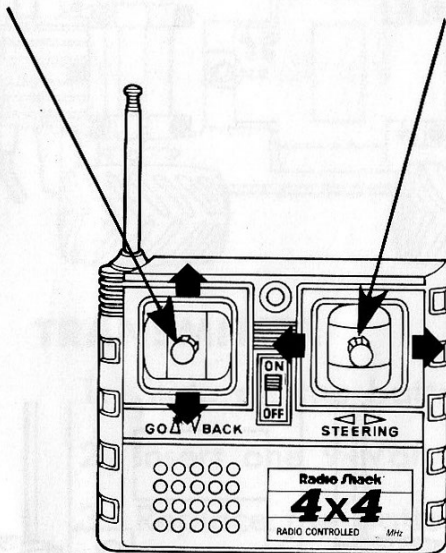


OPERATION

5. Push the driving control stick forward to move the car forward.
Pull the stick toward you to move the car in reverse.
Release the stick to stop the car.
6. To steer left or right, push the steering control stick left or right
as you move the car.

Driving Control
Stick

Steering Control
Stick

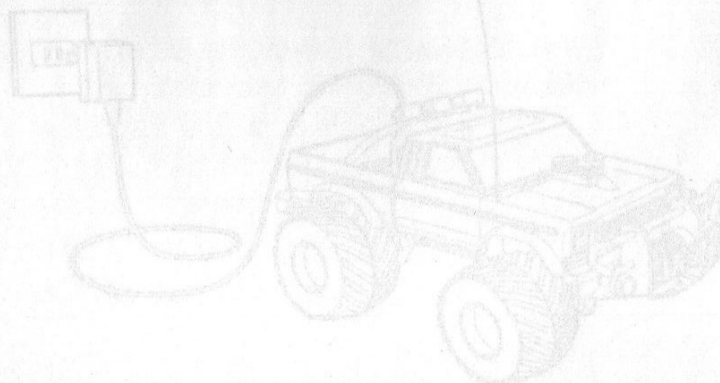


NOTES

- When you finish using the car and transmitter, be sure to turn off both power switches.
- Extend the antenna fully to obtain the maximum operating range. Point the antenna straight up, not at the car.
- Remove all batteries if you plan to store the car and transmitter.
- You can generally obtain an operating range of up to 65 feet (20 meters) outdoors. Indoors you can expect up to 32 feet (10 meters) operating range.
- The car operates on Citizens' Band frequencies. Performance can be affected by operation of other C.B. equipment (walkie talkies, other radio-controlled toys. . .) nearby.

REPLACING THE BATTERIES

1. Replace all four C batteries when the car moves slowly.
2. Replace the 9-Volt car battery when the car moves erratically or you cannot control the movement of the car.
3. Replace the transmitter 9-Volt battery when the car fails to move yet all its all batteries are in good condition.



USING RECHARGEABLE BATTERIES

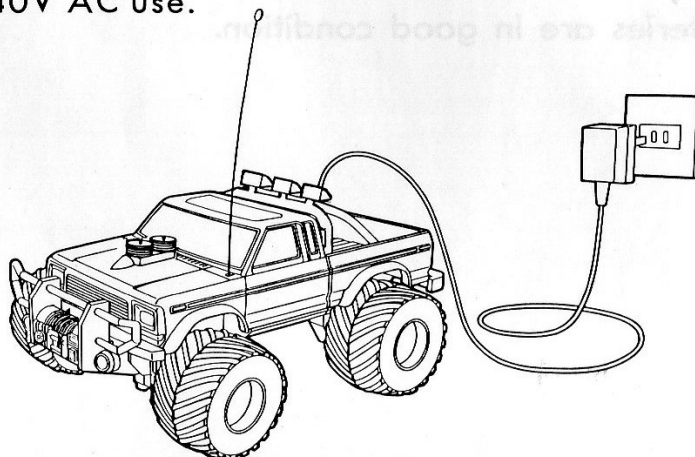
You can use rechargeable nickel cadmium C batteries, Cat. No. 23-124, with an optional recharger, Cat. No. 273-1652A* for longer driving time and ease of re-use. You can recharge these batteries up to 300 times.

Caution :

Never attempt to recharge ordinary, alkaline, or heavy duty batteries in any recharger designed for nickel cadmium batteries. Never mix nickel cadmium and regular batteries in the car at the same time.

1. With the C batteries installed in the vehicle, be sure to turn off the power switch.
2. Select a barrel plug for the charger that fits the jack on the car. Be sure the center contact is marked (+) positive.
3. Plug the barrel and charging cord into the jack on the car. Plug the adapter module into a standard household AC outlet.
4. Charge the nickel cadmium batteries approximately 14 hours. You can continue to charge the batteries for a few additional hours over the suggested 14. However, do not overcharge in excess of one day. Excessive overcharging can reduce the usefull life of the batteries.
5. You can use a rechargeable 9-Volt nickel cadmium battery. However, you cannot charge this size inside the car or transmitter. Use an external charger, available from Radio Shack.

※Use 7.5-Volt range of 273-7005 (U.K.) 273-9663 (Australia) for 240V AC use.



CARE AND MAINTENANCE

- Turn the transmitter and the car off when you finish using them.
- Do not store either unit near a source of heat or in direct sun for an extended period.
- Do not leave the units outside overnight. Moisture can damage both.
- Water can damage your unit. Do not drive it through puddles or operate it in rain or snow.
- Remove all batteries if you store the transmitter and car for a long time. Old batteries can leak chemicals that can damage electronic products.

CUSTOM MANUFACTURED FOR INTERTAN
FABRIQUE POUR INTERTAN

RADIO SHACK DIVISION, INTERTAN CANADA LTD BARRIE, ONTARIO, CANADA	CANADA
INTERTAN AUSTRALIA LIMITED (INC. IN N.S.W.) 91 KURRALONG AVE., MT. DRUITT, 2770	AUSTRALIA
RUE DES PIEDS D'ALOUETTE 38, 5100 NANINNE BP 147-95023 CERGY PONTOISE CEDEX	BELGIUM FRANCE
BILSTON ROAD WEDNESBURY, WEST MIDLANDS WS10 1JN	U.K.

INTERTAN WARRANTY

INTERTAN warrants that this product will be free from defects for a period of **ninety (90) days** from the date of its purchase from any of INTERTAN's company owned stores and authorized dealers. Within this period, the product will be repaired without charge for parts and labour. There may be a slight charge for transportation. **Simply bring in your proof of purchase** to any of INTERTAN's stores or dealers. Any product which has been subjected to misuse or accidental damage is excluded from this warranty.

Except as stated above, INTERTAN makes no promises or warranties either expressed or implied including warranties of merchantability or that the product is fit for any particular purpose.

This warranty is only applicable to products purchased through INTERTAN's company owned stores and dealers that operate in the country where the products are offered for sale. The warranty gives you specific legal rights and you may have other rights which will vary under the laws of the various countries, states, provinces, etc., in which INTERTAN operates.

WE SERVICE WHAT WE SELL!

CUSTOM MANUFACTURED FOR INTERTAN FABRIQUÉ POUR INTERTAN

CANADA

RADIO SHACK DIVISION, INTERTAN CANADA LTD.
BARRIE, ONTARIO. L4M 4W5

AUSTRALIA

INTERTAN AUSTRALIA LIMITED (INC. IN N.S.W.)
91 KURRAJONG AVE., MT. DRUITT, 2770

BELGIUM

RUE DES PIEDS D'ALOUETTE 39, 5100 NANINNE

FRANCE

BP 147-95022 CERGY PONTOISE CEDEX

U.K.

BILSTON ROAD WEDNESBURY, WEST MIDLANDS WS10 7JN