

Radio Shack®

RADIO-CONTROLLED OFF-ROAD JEEP® RENEGADE®



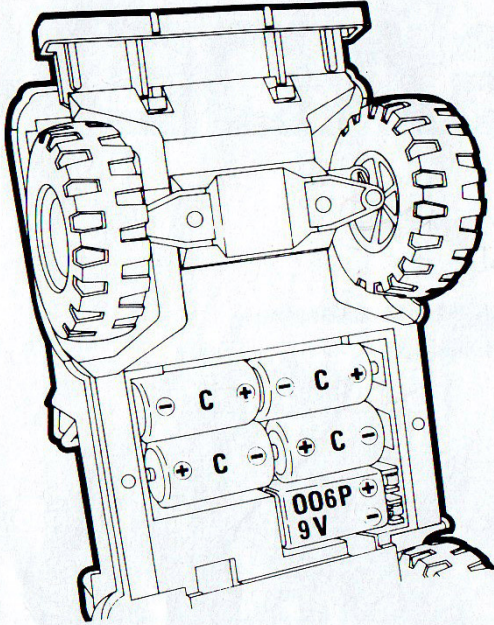
COMPLETELY ASSEMBLED 1/10 SCALE FULLY PROPORTIONAL RADIO-CONTROLLED CAR

- SPECIALLY DESIGNED CIRCUIT FOR USE WITH NICKEL-CADMIUM RECHARGEABLE BATTERIES OR ALKALINE BATTERIES
- AC CHARGER JACK (CHARGER NOT INCLUDED)
- VARIABLE SPEED ● PROPORTIONAL STEERING ● 3 SHIFT GEARS

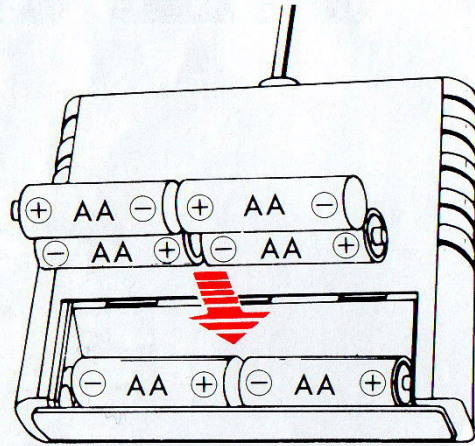
Jeep and Renegade are registered trademarks of Jeep Corporation and are used with its permission.

OPERATING INSTRUCTIONS

Battery Installation



Car uses 4 C batteries and one 9-volt battery.



Transmitter uses 6 AA (penlight) batteries.

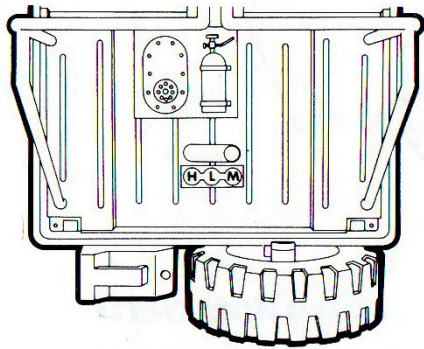
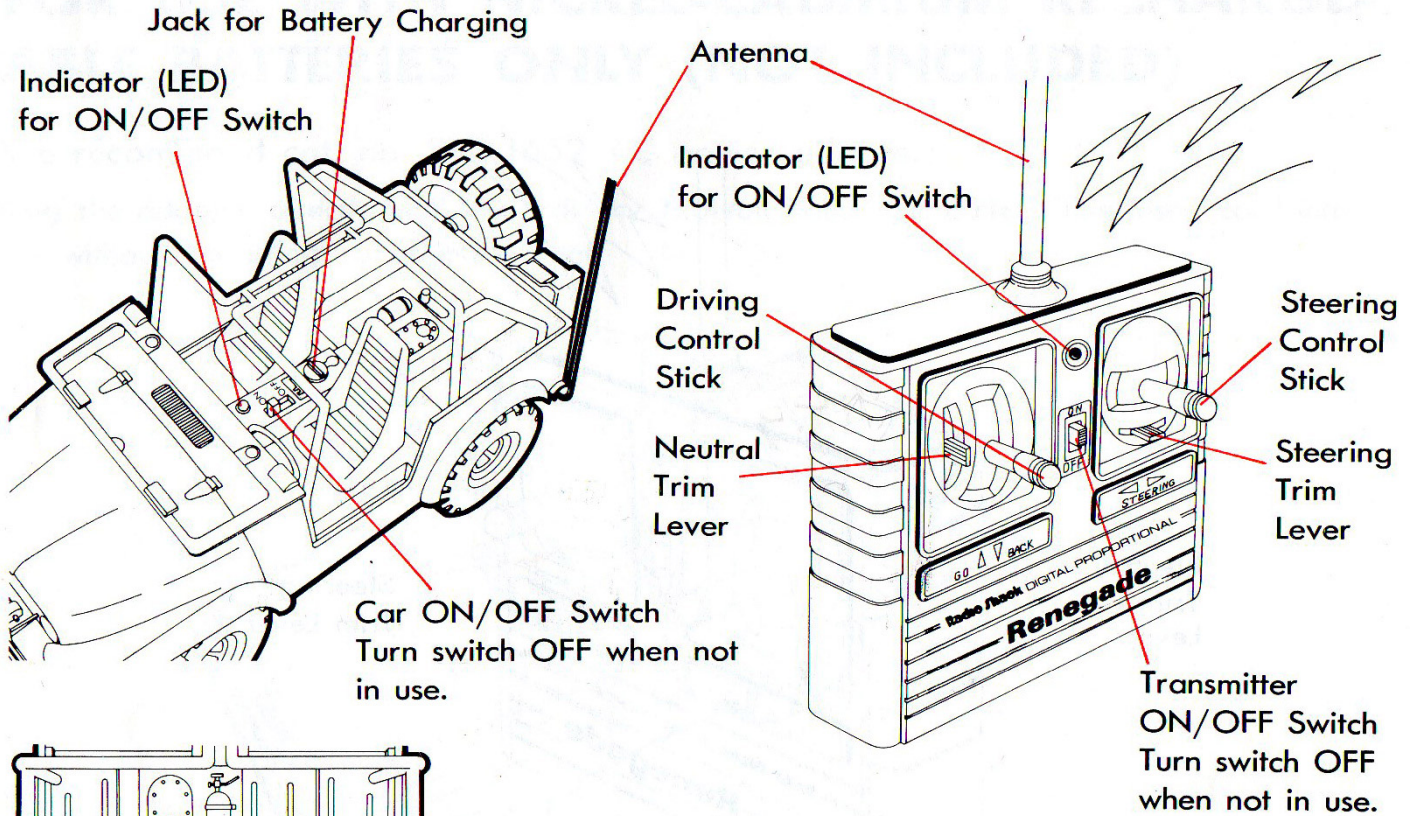
(Batteries not included)

For best performance, use 4 C alkaline batteries for Car.

If you prefer using rechargeable batteries, you can use Radio Shack adapter Cat. No. 273-1652 with our nickel cadmium batteries (Cat. No. 23-124). See page 5.

Only C cells can be recharged inside the car.
Be sure to install batteries with correct polarity (+) (-).

CONTROLS



3 shift transmission gears
(High-Low-Middle)

While ON/OFF switch of car and transmitter is in ON position, indicator (LED) lights red.

- HIGH—For driving on a smooth, flat area with a high speed.
- LOW—For climbing or driving on a rough terrain with a low speed.
- MIDDLE—For normal use.

Driving Control Stick (Variable speed)

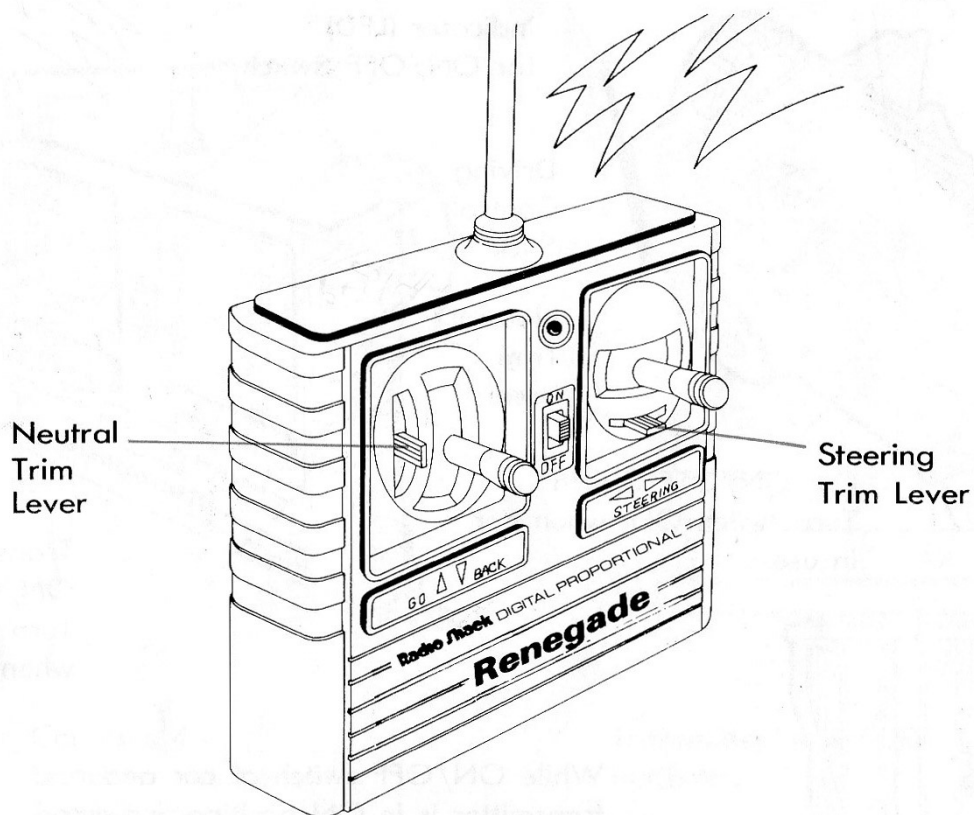
- Push stick forward to advance.
- Push stick back for reverse.
- Release stick to stop.

STEERING Control Stick (Proportional steering)

Use STEERING control in conjunction with driving control.

- Push stick to your left for left turns.
- Push stick to your right for right turns.
- Release stick to move straight.

ADJUSTING TRIM LEVERS



Neutral Trim Lever

Occasionally the Car will tend to creep forward or backward when the speed control stick is in the center (neutral) position.

If the car creeps forward, push the trim lever back. If the car creeps backward, push the trim lever forward.

Steering Trim Lever

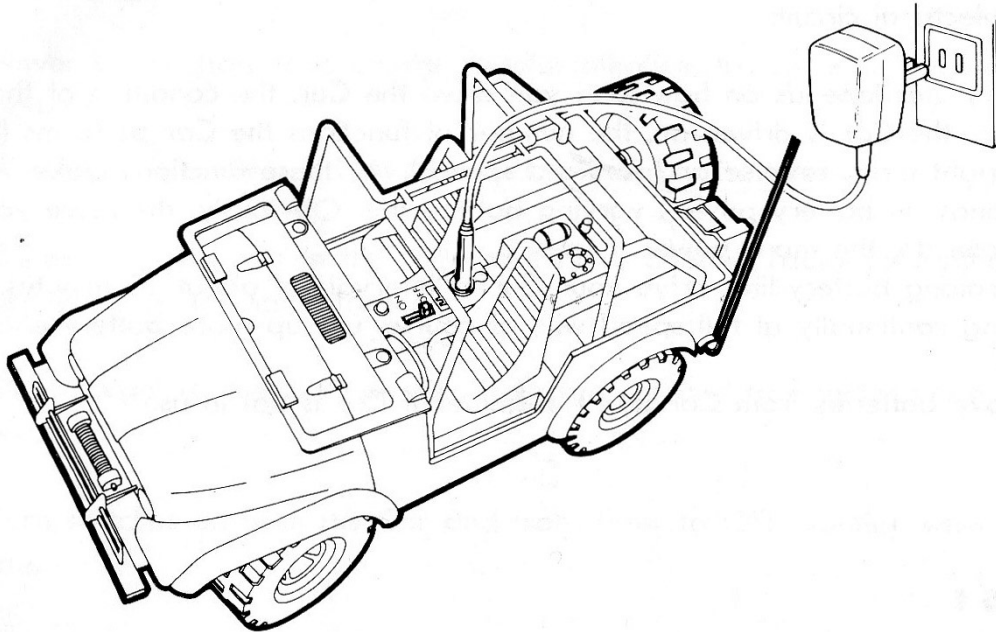
The Car may also tend to drive either left or right when your control stick is in the center position. If the car is going straight and tends to drift to the left, push the trim slightly to the right. If the car drifts to the right, push the trim slightly to the left.

BATTERY CHARGING

FOR USE WITH NICKEL-CADMIUM RECHARGEABLE BATTERIES ONLY (NOT INCLUDED)

We recommend cat. no. 273-1652 AC power adapter.

Plug the adapter directly into any ordinary 120-volt household outlet. Then insert cord into car without removing batteries from car.



Instructions :

Make certain the switch of your Car is in the OFF position and the indicator light on the Car is off. Check your nickel-cadmium batteries for proper polarity as indicated in the battery compartment of your Car. Plug your charger into any ordinary 120 volt household outlet.

Select a plug that fits the jack on the Car. The center plug must be positive. Plug the charging cord into the charger receptacle located on your Car. Nickel-cadmium batteries in the Car may be charged over night (approximately 14 hours). Overcharging several hours will not harm your batteries, however, DO NOT charge in excess of one day.

Charging fourteen hours will bring your batteries to full capacity. Additional charging WILL NOT improve the output of the batteries.

Unplug charger from wall outlet and vehicle when not in use.

9V battery cannot be charged inside the car. If you are using nickel-cadmium 9V battery, charge it with external charger, such as our 23-131.

Warning :

DO NOT RECHARGE ordinary flashlight, heavy duty, alkaline, transistor, mercury or other primary cell batteries.

This may cause leakage, fire or explosion.

IMPORTANT NOTICE

Avoid Battery Damage :

1. Turn Car and transmitter switches to OFF position when not in use, especially the transmitter switch. Many times radio signals fail because the driver remembered to turn off the Car switch but forgot to turn off the transmitter switch. Since there is no noise, it is a common mistake to leave switches in the ON position. This can lead to battery drainage or leakage which can ruin electrical circuits.
2. Battery life depends on how long you drive the Car, the condition of the surface the Car is driven on, the number of functions the Car performs (left and right turns, reverse and forward speeds). All these functions make demands on battery power, varying battery life. Obviously, the more your Car can do, the more power It uses.
To prolong battery life, drive your Car at intervals of about 10 minutes. Driving continually at full speed will, of course, use up more battery energy.
3. Remove batteries from Car and transmitter if Car is not in use.

Notes :

1. This radio-controlled unit has been manufactured under high quality standards. Use only alkaline batteries or rechargeable nickel-cadmium batteries. Weak batteries cause unsatisfactory performance of the radio control unit.
2. Ensure that batteries and terminals fit tightly (extend terminals if necessary).
3. Your Car is designed to operate at distances up to 50 meters (150 feet) outdoors and 15 meters (45 feet) indoors. However, varying conditions may cause this distance to change. To achieve maximum distance from the Car, always hold your transmitter with the antenna straight up.
4. If there is an undue amount of radio interference that hampers the operation of your Car, move to another location for peak performance.

TIPS

1. Avoid all possible collisions. The radio receiver in your car is a sensitive instrument.
Check the road ahead and watch for obstacles.
2. Avoid making contact with the Car and transmitter's antenna.
3. Never use a charger to charge regular alkaline, transistor or heavy duty batteries.
A charger is to be used only for nickel-cadmium batteries.
4. Do not run your car in the same vicinity as another radio-controlled vehicle operating on the same frequency.
5. Don't forget to remove batteries from the car and transmitter when not in use.
6. Turn switches on both the Car and transmitter to OFF position when not in use.
7. Use fresh or fully charged nickel-cadmium batteries. The major cause of malfunction in radio-controlled vehicles is weak batteries.
8. Check battery terminals in both Car and transmitter to make sure they have firm connections.
9. Remove any dirt you may find in the battery compartment.
For best results hold transmitter antenna straight up, not pointing at the car while driving.
10. Keep your car clean. Remove dirt or other material that may collect around wheels or axles by gently brushing it away.
An old toothbrush is handy for this purpose.

Your car operates on two different frequencies.
You can compete with a friend provided the frequency of each car is different. Before competing, check the frequency number on the bottom of the car or on the rear of the transmitter. (Don't run your car in the same vicinity as another radio-controlled vehicle operating on the same frequency.)

RADIO SHACK LIMITED WARRANTY

This product is warranted against defects for 90 days from date of purchase from Radio Shack company-owned stores and authorized Radio Shack franchisees and dealers. Within this period, we will repair it without charge for parts and labor. Simply **bring your Radio Shack sales slip** as proof of purchase date to any Radio Shack store. Warranty does not cover transportation costs. Nor does it cover a product subjected to misuse or accidental damage.

EXCEPT AS PROVIDED HEREIN, RADIO SHACK MAKES NO WARRANTIES, EXPRESS OR IMPLIED, INCLUDING WARRANTIES OF MERCHANTABILITY AND FITNESS FOR A PARTICULAR PURPOSE. Some states do not permit limitation or exclusion of implied warranties; therefore, the aforesaid limitation(s) or exclusion(s) may not apply to the purchaser.

This warranty gives you specific legal rights and you may also have other rights which vary from state to state.

We Service What We Sell

RADIO SHACK, A DIVISION OF TANDY CORPORATION

U.S.A.: FORT WORTH, TEXAS 76102
CANADA: BARRIE, ONTARIO L4M 4W5

TANDY CORPORATION

AUSTRALIA

91 KURRAJONG ROAD
MOUNT DRUITT, N.S.W. 2770

BELGIUM

PARC INDUSTRIEL DE NANINNE
5140 NANINNE

U. K.

BILSTON ROAD WEDNESBURY
WEST MIDLANDS WS10 7JN

Printed in Singapore